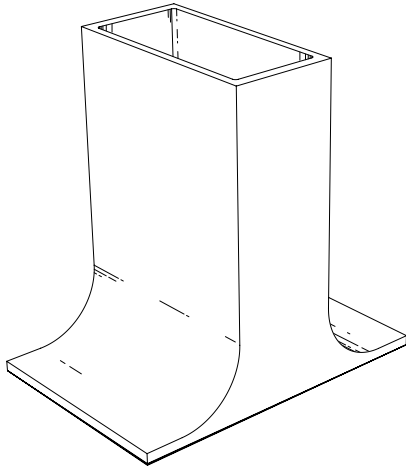


LAMPEDUSA ENZO MARI 1967, RE-EDITION 2015
PORTAMATITE • PENCIL HOLDER



MATERIALE • MATERIAL

melamina • *melamine*

COD.

arancione • *orange*
blu • *blue*

● DE3055A03
● DE3055A14

NOTE • NOTES

non infiammabile • *fire resistant*

