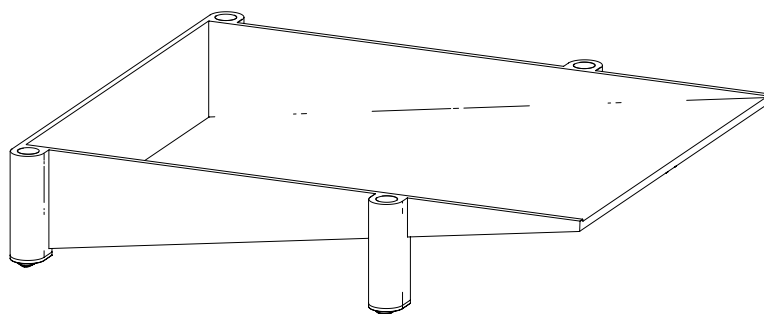


**SUMATRA** ENZO MARI 1976  
PORTACORRISPONDENZA • PAPER TRAY



\*Public collections: Cooper Hewitt, Smithsonian Design Museum • Art Institute of Chicago • Triennale di Milano



**MATERIALE • MATERIAL**

tecnopolimero • *technopolymer*

**COD.**

nero • *black*

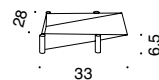
bianco • *white*

rosso • *red*

opalino • *opaline*

grafite • *graphite*

- DE3107A09
- DE3107A10
- DE3107A16
- DE3107A20
- DE3107A25



**NOTE • NOTES**

impilabile • *stackable*

